

HL9582

GaN Integrated Primary Side Controller for Flyback Converter

Overview

The HL9582 is part of the primary flyback controller family of devices integrated with GaNSEN. The HL9582 is a flyback controller that incorporates 650V with 260mΩ GaN power SenseFET. It operates in a quasi-resonant (QR) mode and continuous conduction mode (CCM) to significantly enhance system efficiency and power density. The control method is based on the load conditions: for heavy load, the valley switching with fixed blanking time is applied; and for medium load, the valley switching with variable blanking time is applied to optimize efficiency. In addition, it offers constant output voltage (CV) regulation through opto-coupler with shunt regulator.

Wide VDD operating ranges can be allowed for variable output mode applications, such as USB-PD/PPS or conventional DP/DN protocol communication.

The HL9582 has protections, such as VDD over-voltage protection (VDD OVP), VDMAG over-voltage protection (VDMAG OVP), VDMAG under-voltage protection (VDMAG UVP), internal over-temperature protection (OTP), brown-out protection, and externally triggered shut-down (SD) function for safety.

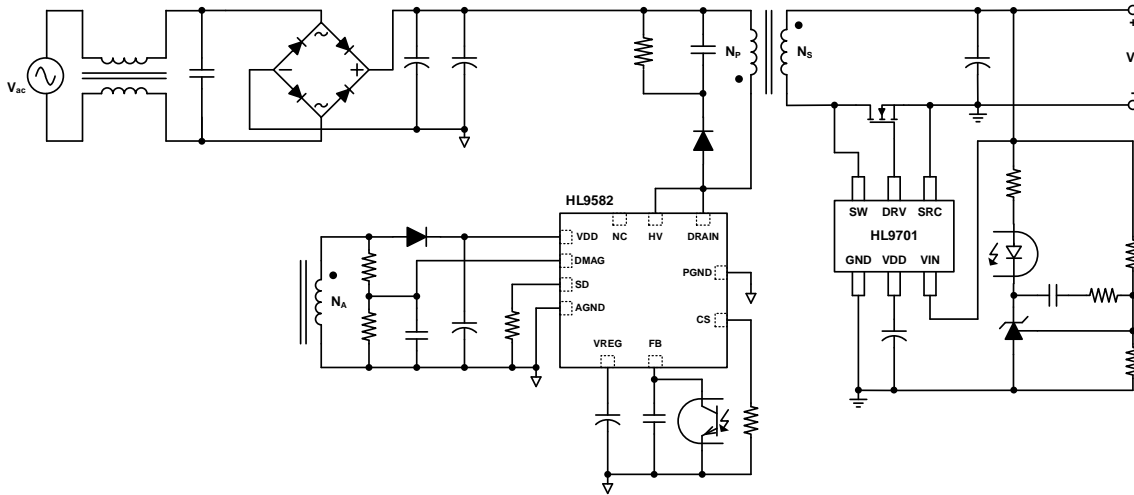
Features

- Integrated eMode GaN SenseFET
- Low 260mΩ Rds(on) resistance
- High average efficiency by QR and CCM switching operations
- Wide VDD operating ranges up to 80V
- Smart driver and frequency hopping for better EMI performance
- Built-in current sensing circuit
- Integrated high-voltage (HV) startup to reduce external components
- Ultra-low standby power consumption (<20mW)
- Limit power source (LPS) with adaptive constant current protection (CC)
- Adaptive current sense limit
- Over-voltage protection (OVP), under-voltage protection (UVP), and internal over-temperature protection (OTP)
- Thermal shut down protection through external NTC resistor (SD)
- Brown-in protection and brown-out protection
- Current sense short protection (CSSP)
- Abnormal over current protection (AOCP)

Applications

- Battery Chargers for Smartphones and Tablet PCs
- Adapters for Portable Devices
- Flyback Power Supplies with Low and/or Variable Output Voltage

Simplified Application Diagram



Ordering Information

Part Number	Operating Temperature Range	Package	Packing Method
HL9582FN	-40°C to +125°C	QFN 5x6	5K/Tape & Reel

Important Notice

Elevation reserves the right to modify, improve, and terminate its products, services, documentations, etc. without advance notice. Customers are encouraged to contact Elevation sales representatives to get the latest product information.

Without proper legal authorization, Elevation products shall not be used for medical or military applications. Elevation does not assume any liability of personal or property damages of any kind due to such applications.

All text, images, trademarks of this document, and any intellectual property contained in the product and in this document belong to Elevation. No part of this document may be used, copied, modified, distributed, or published without legal authorization from Elevation.

© 2022 Elevation Semiconductor. All rights reserved. www.elevation-semi.com