

HL9550

GaN Integrated Primary Side PWM Flyback Regulator

Overview

The HL9550 is a part of the family of GaN integrated flyback current-mode-controlled regulators. It is a flyback PWM controller that operates in a quasi-resonant (QR) and continuous conduction mode (CCM) to significantly enhance system efficiency and power density. The control method is based on the load conditions: for heavy load, the valley switching with fixed blanking time is applied; and for medium load, the valley switching with variable blanking time is applied to optimize efficiency. The device with only 20mW less standby power is optimized for high power density AC/DC power supplies. The built-in numerous protection functions make the devices well suited for a best-in-class reliable system with ultra-low part-count BOM.

The HL9550 offers constant output voltage (CV) regulation through opto-coupler feedback controller with shunt regulator. In addition, it incorporates 700V with 170mΩ GaN power FET to provide high efficiency solution and integrated HV startup. The brown-in voltage is programmed by external DMAG pin resistor.

The HL9550 supports wide VDD operating range to cover variable output applications with USB- PD/PPS and DP/DN protocol communication. The HL9550 provides stable gate voltage to drive GaN device through VREG pin.

The HL9550 has protections, such as VDD over-voltage protection (VDD OVP), VDMAG over-voltage protection (VDMAG OVP), VDMAG under-voltage protection (VDMAG UVP), internal over-temperature protection (OTP), brown-out protection, and externally triggered shut-down (SD) function for safety.

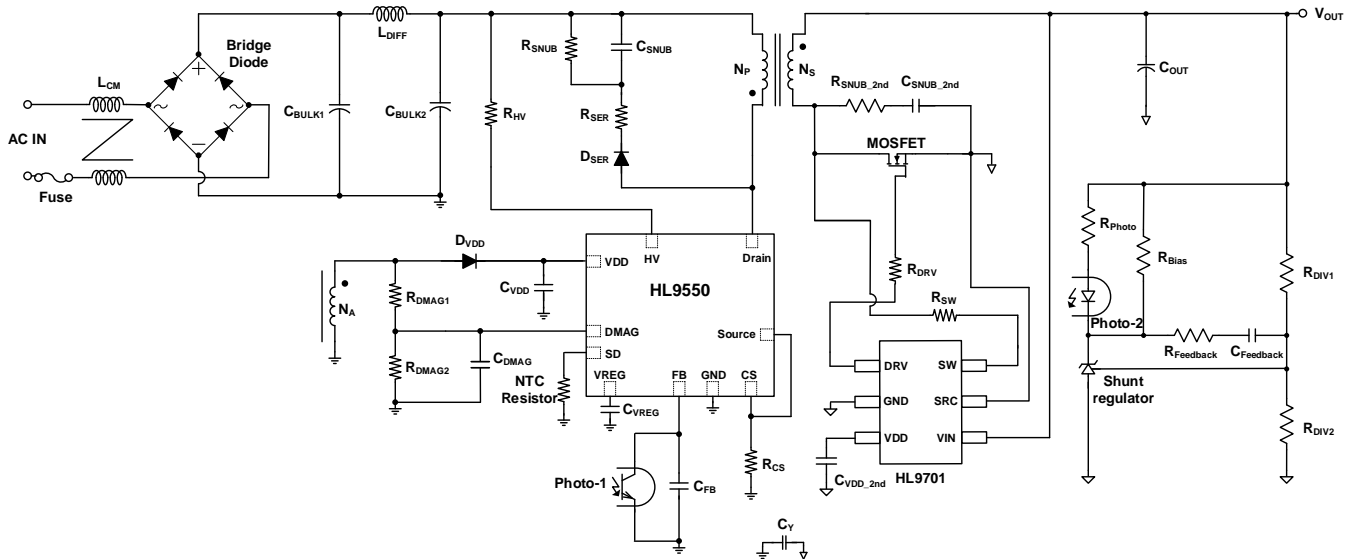
Features

- Integrated eMode GaN Power FET
- Low 170mΩ $R_{DS(ON)}$ resistance
- High efficiency across universal input and full load range by hybrid QR and CCM operation
- Wide VDD operating ranges up to 78.5V
- Smart driver and frequency hopping for better EMI performance
- Ultra-low standby power consumption (<20mW)
- Integrated over-voltage protection (OVP), under-voltage protection (UVP), and over-temperature protection (OTP).
- Adjustable thermal shut-down (SD) protection through external NTC thermistor
- Brown-in and brown-out protection
- Integrated high-voltage (HV) startup to reduce external components
- Limit power source (LPS) with power limit and current limit
- Cycle by cycle current limit (VCS_LIM)
- Current sense short protection (CSSP)
- Secondary side short protection (SSSP)
- Integrated X-cap discharge function
- Accurate protection behavior for auto-restart, latch, and long auto-restart mode

Applications

- USB PD/QC Battery Charger for Portable Devices
- High-Efficiency AC-DC Power Adapter
- Power Supply with Fixed or Variable Output Voltage

Simplified Application Diagram



Ordering Information

Part Number	$R_{DS(ON)}$	$F_{S_BNK_MAX}$	Function Descript	Operating Temperature Range	Package	Packing Method
HL9550FN01	170m Ω	129kHz	QR / PL+CC	-40°C to +125°C	QFN 5x6	5K/Tape & Reel
HL9550FN08	170m Ω	225kHz	QR / PL+CC	-40°C to +125°C	QFN 5x6	5K/Tape & Reel
HL9550FN21	170m Ω	129kHz	QR / PL+CC / X-cap	-40°C to +125°C	QFN 5x6	5K/Tape & Reel
HL9550FN25	170m Ω	225kHz	QR / CC / X-cap	-40°C to +125°C	QFN 5x6	5K/Tape & Reel

*PL: Power Limit, CC: Constant Current (Current Limit), X-cap: X-cap discharge function

Important Notice

Elevation reserves the right to modify, improve, and terminate its products, services, documentations, etc. without advance notice. Customers are encouraged to contact Elevation sales representatives to get the latest product information.

Without proper legal authorization, Elevation products shall not be used for medical or military applications. Elevation does not assume any liability of personal or property damages of any kind due to such applications.

All text, images, trademarks of this document, and any intellectual property contained in the product and in this document belong to Elevation. No part of this document may be used, copied, modified, distributed, or published without legal authorization from Elevation.

© 2022 Elevation Semiconductor. All rights reserved. www.elevation-semi.com